

EVI-D100/D100P

1/4 Type CCD	Zoom X 10 Lens	Auto Focus Lens	VBS Output	Y/C Output	Long Exposure	Normal Shutter
CCD Iris	ATW White Balance	AUTO White Balance	One-Push White Balance	Fixed White Balance	Manual White Balance	PTZ Pan/Tilt/ Zoom
Horizontal Flip	E-Zoom X 4	RS232C Control	Power Save			

Connection Diagram 

* For RS-232C control



Outline

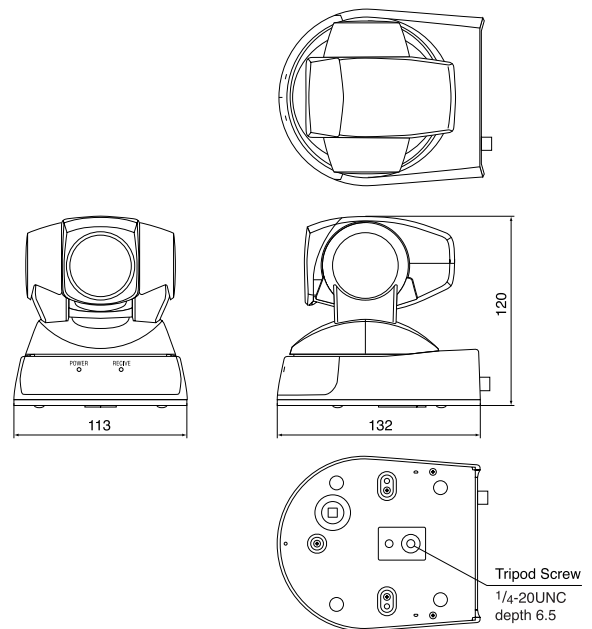
The EVI-D100/D100P is a CCD camera module that combines a newly developed high-speed pan/tilt function with a wide angle zoom lens, to offer pan/tilt/zoom in one package. From the 65-degree wide angle (horizontal), 40x zoom (optical 10x) is possible. In addition, the camera features a direct drive mechanism that achieves high-speed operation that is three times faster than other Sony models and is significantly quieter. Furthermore, it is equipped with a wide variety of functions such as digital effects, electronic slow shutter, precise remote setting and control, etc. More than ever, this camera is ideal for remote monitoring.

Features

- High-speed silent direct drive mechanism
- 40x zoom (10x (optical), 4x (digital))
- Equipped with a wide-range zoom lens: Maximum field angle 65-degree
- Minimum illumination of the object: 3.5 lx at (1/60 sec, F1.8, 50 IRE)
- Electronic automatic slow shutter correspondence
- Various white balance correspondences
- Various digital effect functions such as horizontal flip and still image
- Auto-sleep function
- Preset position, battery backup function
- Precise control through VISCA Protocol
- Supporting EVI-D30 emulation mode
- Infrared remote commander and AC power adaptor supplied

* "VISCA" is a registered trademark of Sony Corporation

Dimensions

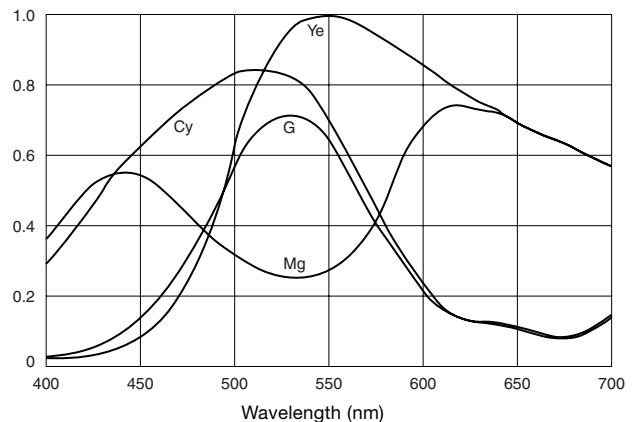


Unit: mm

Spectral Sensitivity Characteristics

●EDV-D100/D100P (Typical Values)

Relative sensitivity



Non-TV Format

TV Format B/W Model

Color Model

Intelligent

Digital Interface IEEE1394

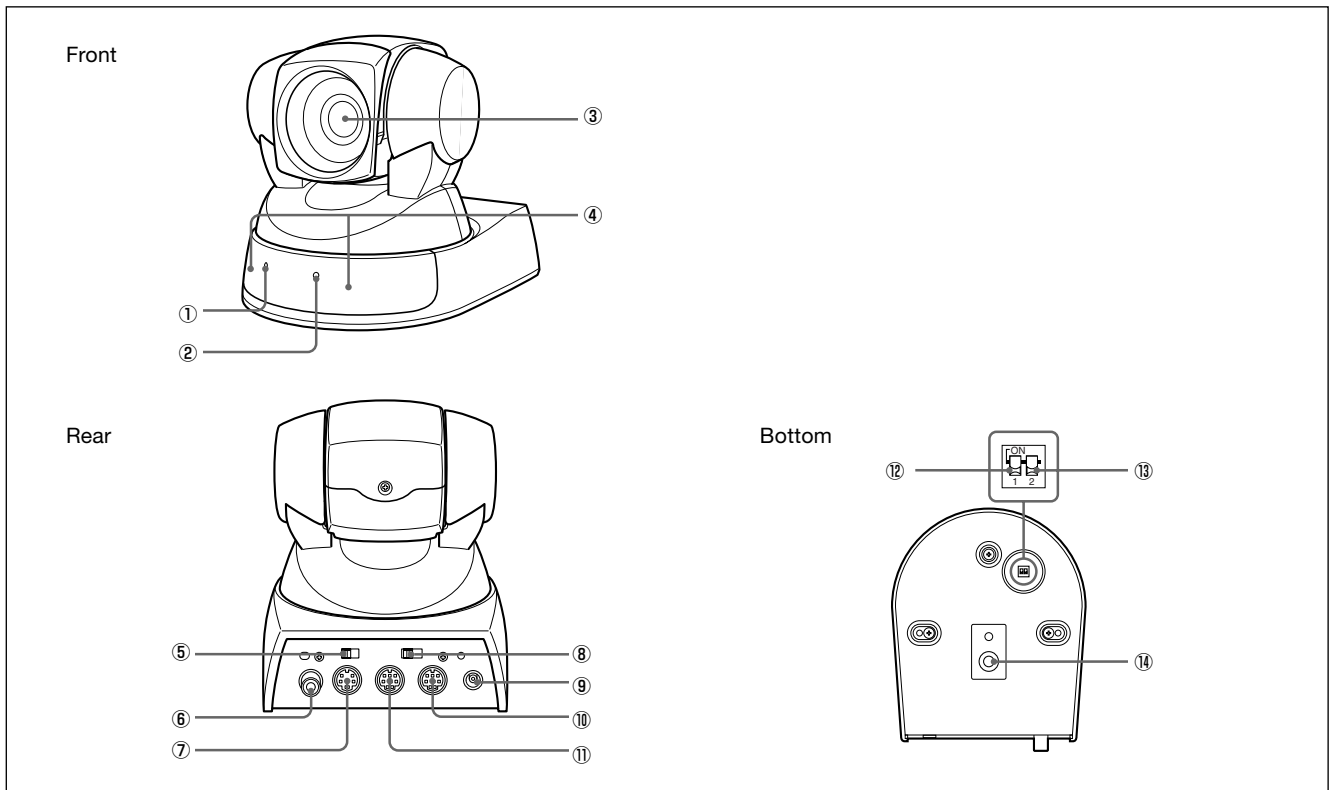
Camera Link compatible

Accessories

Color PTZ Model

Color Camera Block

Location and Function of Parts and Controls



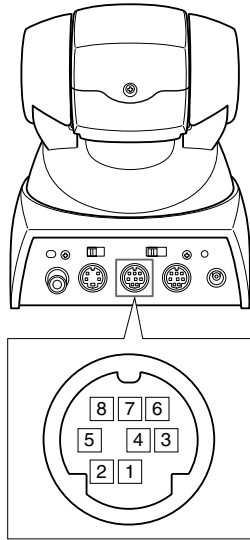
- ① POWER lamp
- ② STANDBY lamp
- ③ Lens
- ④ Reference holes (at the bottom)
- ⑤ BACKUP switch
- ⑥ VIDEO jack
- ⑦ S VIDEO jack
- ⑧ IR SELECT switch
- ⑨ DC IN 12 V jack
- ⑩ VISCA OUT jack
- ⑪ VISCA IN jack

- ⑫ IR SELECT switch
Set this switch to ON to allow the camera output signals transmitted from the Remote Commander to the Color Video Camera via the VISCA OUT jack to be output. When you don't intend to do so, set it to OFF.
 - ⑬ D30/D31 mode switch
Set this switch to ON to enable you to operate the Color Video Camera using the VISCA commands for the EVI-D30/D31. When you don't intend to do so, set it to OFF.
- Note**
You cannot use some of the commands of the EVI-D30/D31 even if you set this switch to ON.
- ⑭ Tripod hole

Specifications

	EVI-D100	EVI-D100P
Image device	1/4 type IT CCD	
Signal system	NTSC	PAL
Effective picture elements	768 (H) x 494 (V)	752 (H) x 582 (V)
Effective lines	470 TV lines (wide end)	460 TV lines (wide end)
Lens	10x zoom, f=3.1 to 31, F1.8 to F2.9	
Digital zoom	4x (40x with optical zoom)	
Horizontal angle of view	6.6 to 65 degrees	
Minimum object distance	100 mm (Wide end), 600 mm (Tele end)	
Minimum illumination	3.5 lx (F1.8) (50 IRE)	
Auto exposure	Auto/Manual/Priority AE, Exposure compensation, Back light Compensation	
Shutter speed	1/4 to 1/10,000 s	1/4 to 1/10,000 s
White balance	Auto/ATW/Manual/One Push/3200K/5800K	
Digital effects	Pastel/Neg.Art/Sepia/Black & White/Solarize/Mosaic/Slim/Stretch/Still/Flash/Lumi/Trail	
S/N Ratio	More than 50 dB	
Pan/tilt	Horizontal ± 100 degrees (Max speed 300 degrees/s), Vertical ± 25 degrees (Max speed 125 degrees/s)	
Position preset	6 positions	
Control terminal	RS-232C (8-pin mini DIN) control (VISCA)/RS-422 (9-pin) control (VISCA), baud rate: 9.6 Kb/s, 38.4 Kb/s	
Video output	VBS, Y/C	
Power requirement	DC 10.8 to 13.0 V	
Power consumption	Max. 13.2 W (at 12 Vdc)	
Operating temperature	0 to 40 °C	
Storage temperature	-20 to +60 °C	
Dimensions (W x H x D)	113 x 120 x 132 mm	
Mass	860 g	
Supplied accessories	AC adaptor (1), IR Remote Commander unit (1), Velcro tape (1), Operating instruction (1)	

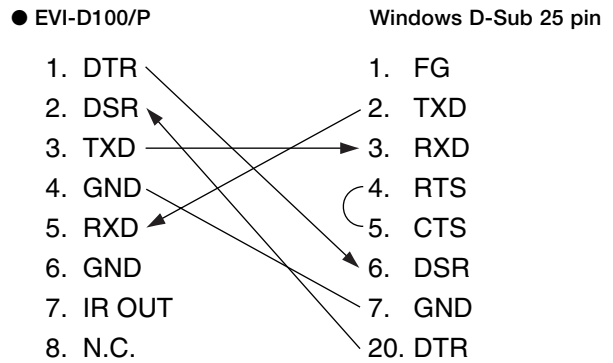
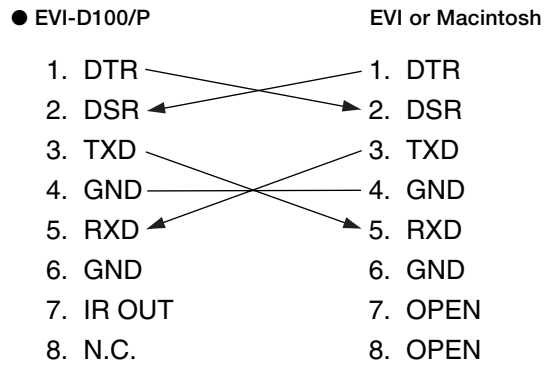
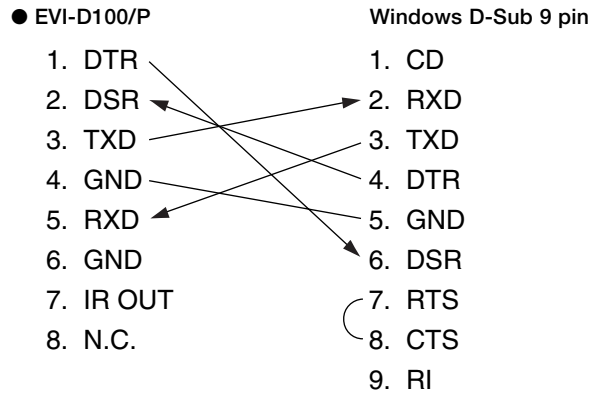
Connector Pin Assignments



VISCA IN

No	Pins	Signals
1	DTR	DataTransmission Ready (OUTPUT)
2	DSR	Data Set Ready (INPUT)
3	TXD	Transmit Data (OUTPUT)
4	GND	Ground
5	RXD	Receive Data (INPUT)
6	GND	Ground
7	IR OUT	IR Commander Signal (OUTPUT)
8	N.C.	No Connection

IR OUT outputs the signals of the Remote Commander at 0 to 5 V when the IR OUT switch is set to ON. When the switch is set to OFF, signals input to the VISCA IN jack are output through the VISCA OUT jack.



Initial Values and Backup

The “Initial mode” column shows the setting values at the time of factory shipment.

A circle (○) in the Backed up/Not backed up column indicates that the setting is stored in the camera if the power is turned OFF while the BACKUP switch located on the back side of the camera is ON.

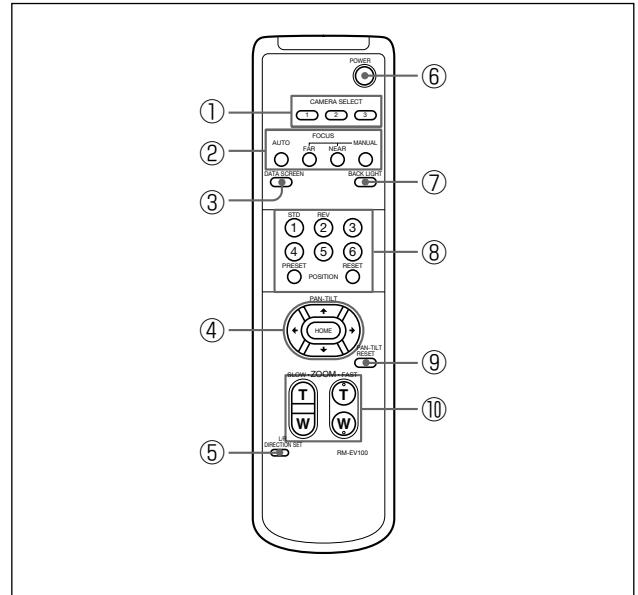
An “X” indicates that the setting data is not stored in the camera.

Category	Mode/Position	Initial values	Backed up/Not backed up (○: Backed up, X: Not backed up)
Pan/Tilt	Pan/Tilt Position	Home position	○
	Pan/Tilt Limit Position	movable-range maximum	○
Zoom	Zoom Position	Wide end	○
	Digital Zoom On/Off	On	○
Focus	Focus Mode Auto/Manual	Auto	○
	AF Sens High/Low	High	○
	Focus Position	—	○
	Near Limit	Near end	○
WB	WB Mode	Auto	○
	R/B Gain	—	○
AE	AE Mode	Full Auto	○
	Slow Shutter Auto/Manual	Manual	○
	Shutter Position	—	○
	Iris Position	—	○
	Gain Position	—	○
	Bright Position	—	○
	ExpComp On/Off	Off	○
	ExpComp Position	±0	○
	Back Light On/Off	Off	○
Aperture	Aperture Gain	5	○
Effect	Wide Mode	Off	X
	LR Reverse On/Off	Off	X
	Freeze On/Off	Off	X
	Picture Effect Mode	Off	X
	Digital Effect Mode	Off	X
	Digital Effect Level	0	X
OSD	Datascreen On/Off	Off	X
IR	IR_Receive On/Off	On	○ ¹⁾
	IR_ReceiveReturn On/Off	Off	○ ¹⁾
AutoPowerOff	Auto Power Off Timer	0	○ ¹⁾
Memory	Position Preset Data	—	○
VISCA	VISCA Address	1	X ^{1),2)}

1) The data items are backed up when the power is turned OFF (standby mode) using a VISCA command or remote control, regardless of whether the BACKUP switch is ON or OFF.

2) When the camera is in D30/D31 mode, the VISCA address is backed up.

Remote Commander



- ① **CAMERA SELECT** buttons
- ② **FOCUS** buttons
 AUTO button
 FAR button
 NEAR button
 MANUAL button
- ③ **DATA SCREEN** button
- ④ **PAN-TILT** button
 Arrow buttons
 HOME button
- ⑤ **L/R DIRECTION SET** button
- ⑥ **POWER** switch
- ⑦ **BACK LIGHT** button
- ⑧ **POSITION** buttons
 Numeric buttons (Button 1 also works as the STD button. Button 2 also works as the REV button.)
 PRESET button
 RESET button
- ⑨ **PAN-TILT RESET** button
- ⑩ **ZOOM** buttons
 SLOW T button
 SLOW W button
 FAST T button
 FAST W button