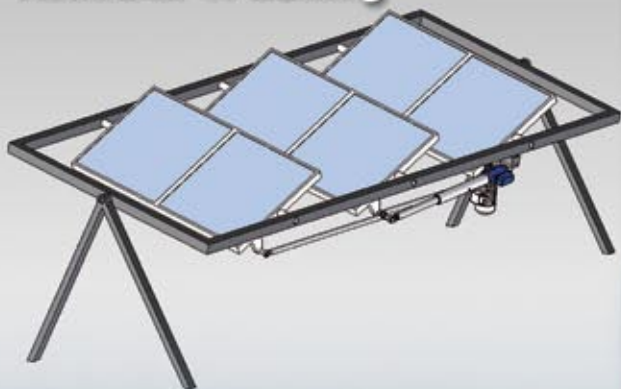


Azimuth Tracking



CLA Series

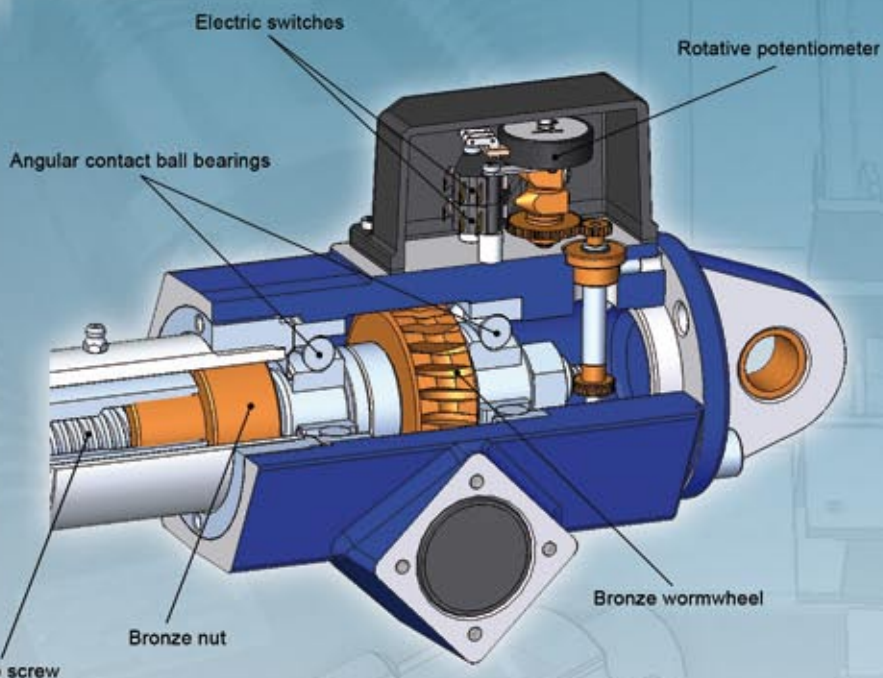


Compact Linear Actuators series

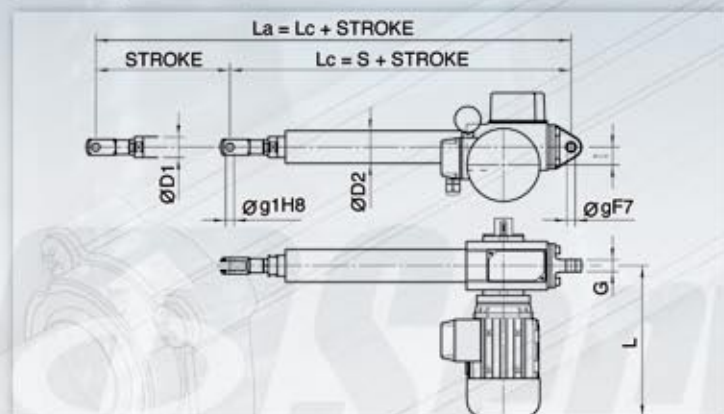
New series of actuators designed for azimuth tracking in photovoltaic power plants. Thanks to their peculiar design, construction materials and inner features the CLA linear actuators are successfully applied in photovoltaic panels installation with surface from 12 to 250 m². CLA linear actuators are robust products designed and produced for strong wind conditions. Conceived and engineered to work outdoor in hostile environments. Produced using UV resistant materials. Long operational life with high reliability. Maintenance free. **Warranty up to 10 years.**

Main Features

- 4 sizes available
- Dynamic load capacity from 5 up to 25 kN
- Linear speeds from 1 mm/s up to 7 mm/s
- Stroke lengths up to 1.000 mm
- Self enclosed limit switches
- Positioning control via rotative potentiometer
- Available with either AC or DC motors
- UV resistant materials
- Self-locking
- Maintenance free
- Warranty up to 10 years



SIZE	ACME SCREW	Ratio RL	Ratio RXL	Load capacity against wind force			AC 4-pole motor standard	AC 4-pole motor on request
				Capacity [kN]	Safety factor against backling	Max. stroke length [mm]		
CLA 25 S	Tr 16x4	1 : 25	1 : 50	10	1	600	0.09 kW	0.18 kW
CLA 30	Tr 18x4	1 : 24	1 : 34	15	1	700	0.18 kW	0.37 kW
CLA 40	Tr 22x5	1 : 25	1 : 48	20	1	850	0.37 kW	0.75 kW
CLA 50	Tr 30x6	1 : 25	1 : 48	30	2	1000	0.75 kW	1.5 kW



SIZE	l	Ø D1	Ø D2	S	Ø g	G	Ø g1
CLA 25 S	25	30	45	209	10	15	12
CLA 30	30	35	55	260	14	20	14
CLA 40	40	40	60	304	20	24	20
CLA 50	50	50	70	367	25	40	30

SIZE	L (standard motor)	L (motor on request)
CLA 25 S	194	220
CLA 30	255	346
CLA 40	264	400
CLA 50	400	446

All dimension values are expressed in millimetres.