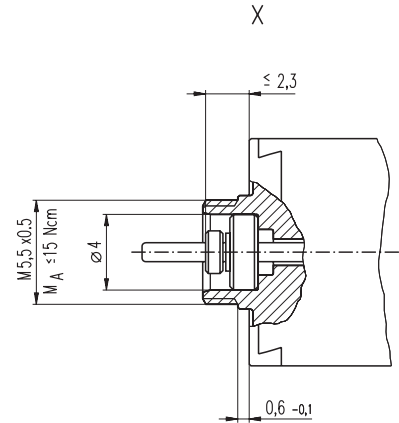
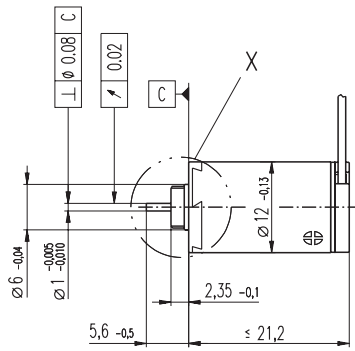
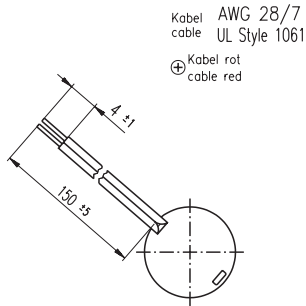


A-max 12 Ø12 mm, Precious Metal Brushes CLL, 0.75 Watt, CE approved



M 1:1

- Stock program
- Standard program
- Special program (on request)

Order Number

200937 265374 265375 265376 265377 265378

Motor Data

Values at nominal voltage								
1	Nominal voltage	V	3.0	4.5	6.0	9.0	12.0	15.0
2	No load speed	rpm	13900	11900	12800	12100	12300	13800
3	No load current	mA	21.1	11.5	9.47	5.87	4.50	4.21
4	Nominal speed	rpm	5930	4360	5250	4460	4610	5030
5	Nominal torque (max. continuous torque)	mNm	0.891	0.959	0.946	0.941	0.931	0.804
6	Nominal current (max. continuous current)	A	0.462	0.281	0.225	0.141	0.107	0.0836
7	Stall torque	mNm	1.58	1.55	1.63	1.52	1.52	1.29
8	Starting current	A	0.789	0.438	0.374	0.220	0.168	0.129
9	Max. efficiency	%	70	71	71	70	70	68
Characteristics								
10	Terminal resistance	Ω	3.80	10.3	16.0	40.9	71.6	116
11	Terminal inductance	mH	0.0851	0.263	0.402	1.01	1.74	2.13
12	Torque constant	mNm / A	2.01	3.53	4.36	6.92	9.06	10.0
13	Speed constant	rpm / V	4760	2710	2190	1380	1050	952
14	Speed / torque gradient	rpm / mNm	9030	7880	8060	8170	8330	11000
15	Mechanical time constant	ms	20.5	20.2	20.3	20.3	20.4	21.0
16	Rotor inertia	gcm ²	0.217	0.245	0.240	0.237	0.233	0.182

Specifications

Thermal data		
17	Thermal resistance housing-ambient	44.5 K / W
18	Thermal resistance winding-housing	15 K / W
19	Thermal time constant winding	4.99 s
20	Thermal time constant motor	245 s
21	Ambient temperature	-30 ... +65°C
22	Max. permissible winding temperature	+85°C
Mechanical data (sleeve bearings)		
23	Max. permissible speed	19000 rpm
24	Axial play	0.05 - 0.15 mm
25	Radial play	0.012 mm
26	Max. axial load (dynamic)	0.15 N
27	Max. force for press fits (static)	15 N
28	Max. radial loading, 4 mm from flange	0.4 N

Other specifications

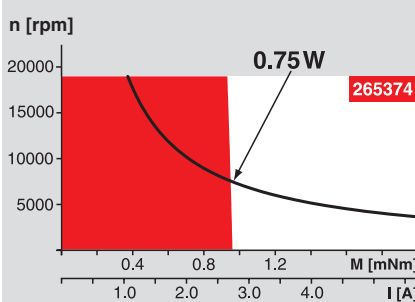
29	Number of pole pairs	1
30	Number of commutator segments	7
31	Weight of motor	11 g
CLL= Capacitor Long Life		
Alignment of the electronic connections not specified		

Values listed in the table are nominal.
 Explanation of the figures on page 47.

Option

Ball bearings in place of sleeve bearings

Operating Range



Comments

Continuous operation
 In observation of above listed thermal resistance (lines 17 and 18) the maximum permissible winding temperature will be reached during continuous operation at 25°C ambient.
 = Thermal limit.

Short term operation
 The motor may be briefly overloaded (recurring).

— Assigned power rating

maxon Modular System

Overview on page 16 - 21

Planetary Gearhead

Ø10 mm
 0.005 - 0.15 Nm
 Page 206 / 207

Spur Gearhead

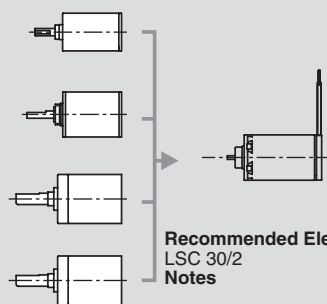
Ø12 mm
 0.008 - 0.025 Nm
 Page 208

Planetary Gearhead

Ø13 mm
 0.05 - 0.15 Nm
 Page 209

Planetary Gearhead

Ø13 mm
 0.2 - 0.35 Nm
 Page 210



Recommended Electronics:
 LSC 30/2 Page 268
Notes 18