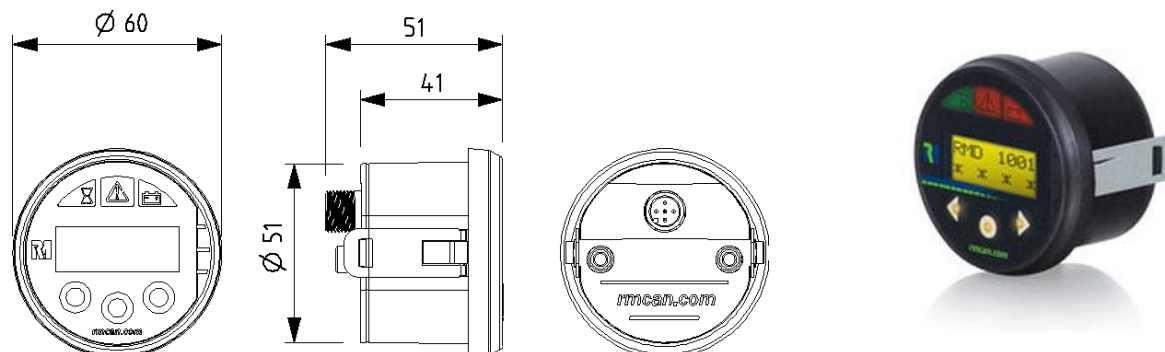


DATA SHEET

Display 1001



Mechanical Data	1001
Dimension diameter / depth [mm]	Ø 60 / 50
Degree of protection	IP 65
Temperature range	-20 °C ... +70 °C / -4 °F ... +158 °F
Weight	63 g
Mounting [mm]	Mounting hole Ø 53
Electrical Data	
DC power supply	9 V ... 60 V
Power input @ 24 V	≤ 100 mA
Memory: Program / Configuration / Data	96 kB / 65 kB / 3.3 kB
Indicator LEDs	3 (default symbols: maintenance, caution, battery)
Keys (backlit)	3
Buzzer	1
Display Data	
Display type	2 x 8 characters LCD with backlight
Interfaces / Protocols	
CAN (ISO 11898-2 High Speed, 2.0 B)	1
CANopen, Layer 2, J1939	✓
Software	
PROEMION Tools CD	157 002 059
Product number / Accessories	
Display 1001	251 007 020
Rounded seal o-ring Display 1001	140 700 003
Mounting kit (brackets)	141 000 011
CAN cable M12 5-pin / D-Sub + power	136 000 028
CAN bus terminator D-Sub / D-Sub	157 000 033
Starter Kit	
Display 1001 Starter Kit	253 000 047
Certifications	
CE, FCC, E1	✓