



- Optical or magnetic principle
- Incremental measurement
- 6, 8, 10, 12, 14 mm hole diameters
- Resolution up to 20,000 pulse for ARC (Optical), up to 4096 pulse for ARS (Magnetic)
- 300 KHz response frequency

TECHNICAL SPECIFICATIONS

Process Temperature	- 25 to 85 °C
Stock Temperature	- 40 to 100 °C
Body	58 mm Diameter
Response Frequency	300 KHz
Operating Speed	Optical: 6.000 RPM max. Magnetic: 3.000 RPM max.
Hole Diameter	6 mm, 8 mm, 10 mm, 12 mm, 14 mm

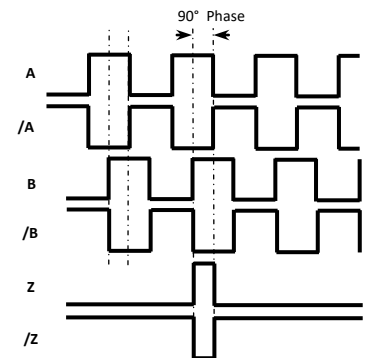
ELECTRICAL SPECIFICATIONS

Supply Voltage	+5 VDC, +10VDC...30VDC
Supply Current	50mA Nominal
Output Type	Push Pull, TTL Line Driver, Open Collector (Only Optical)
Output Signals	A, /A, B, /B, Z, /Z
Output Current	100mA max. (Every Channel)
Connection	5 or 8 x 0,14 mm ² Cable with shield

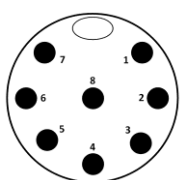
OUTPUT SIGNALS

PIN NO	SIGNAL	CABLE COLOR
1	A	YELLOW
2	/B	WHITE
3	+V	RED
4	0 V	BLACK
5	/A	BLUE
6	B	GREEN
7	/Z	GREY
8	Z	PINK
9	GROUND	SHIELD

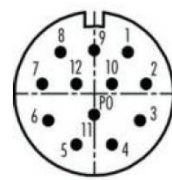
In the left tablet the cable colors of sensors output signals are given. If the control circuit is suitable in the Line Driver sensors of the not output signals (/A, /B, /Z) have to be added to the system. If it is not suitable /A, /B, /Z signal cables must be fixed as insulated separately. Don't forget that these edges have electricity too.



S16 PIN NO	SIGNAL	CABLE COLOR
1	A	YELLOW
2	/B	WHITE
3	+V	RED
4	0 V	BLACK
5	/A	BLUE
6	B	GREEN
7	/Z	GREY
8	Z	PINK
	GROUND	SHIELD

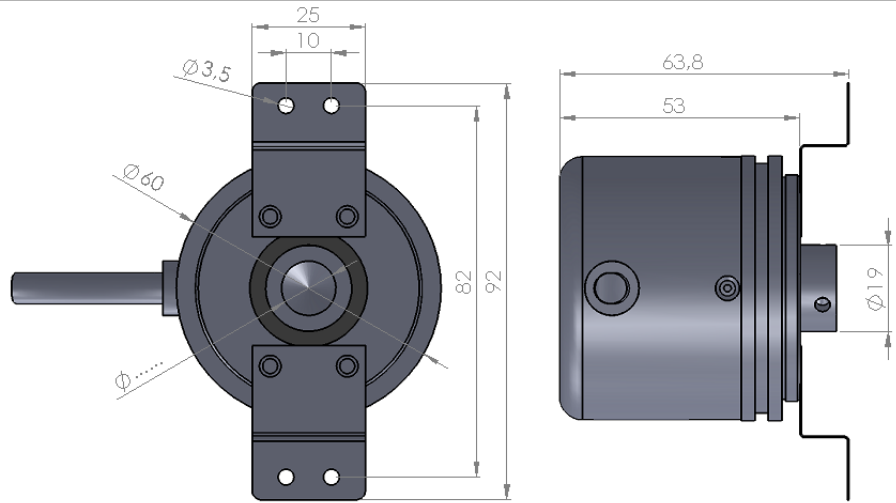


S23 PIN NO	SIGNAL	CABLE COLOR
5	A	YELLOW
1	/B	WHITE
12-2	+V	RED
10-11	0 V	BLACK
6	/A	BLUE
8	B	GREEN
4	/Z	GREY
3	Z	PINK
9	GROUND	SHIELD

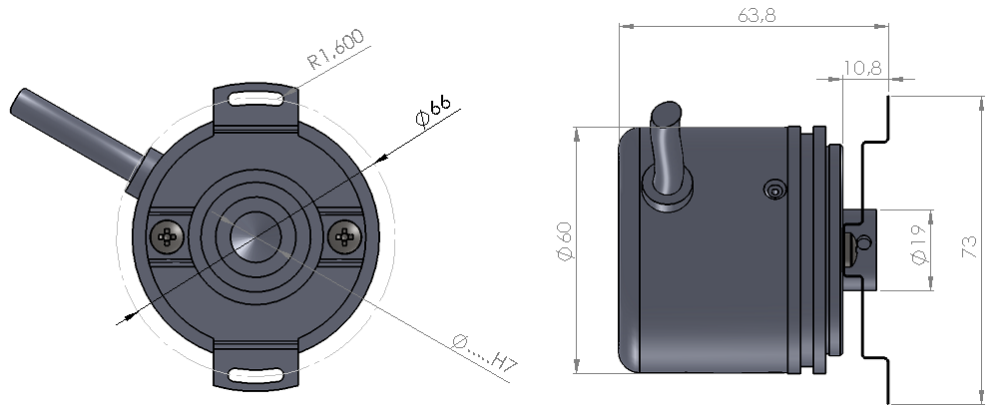


MECHANICAL DIMENSIONS

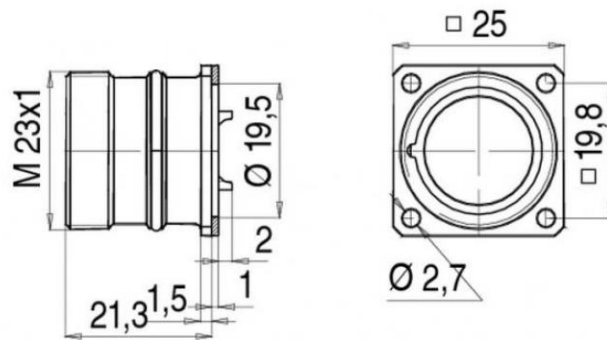
FZ – “Z” Type Flange



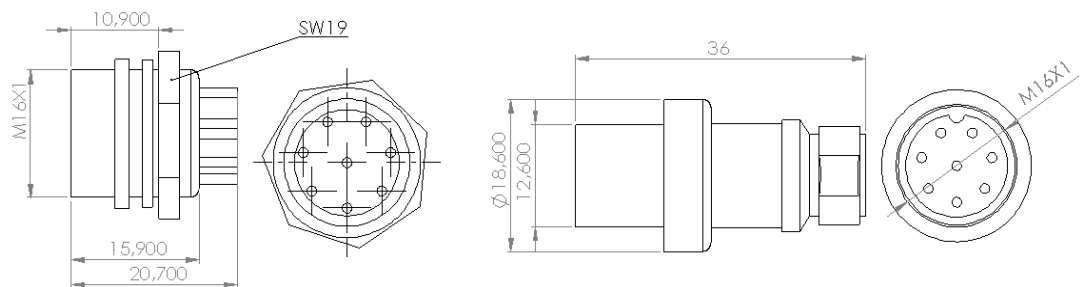
FC – Circular Flange



S23 Socket Connector

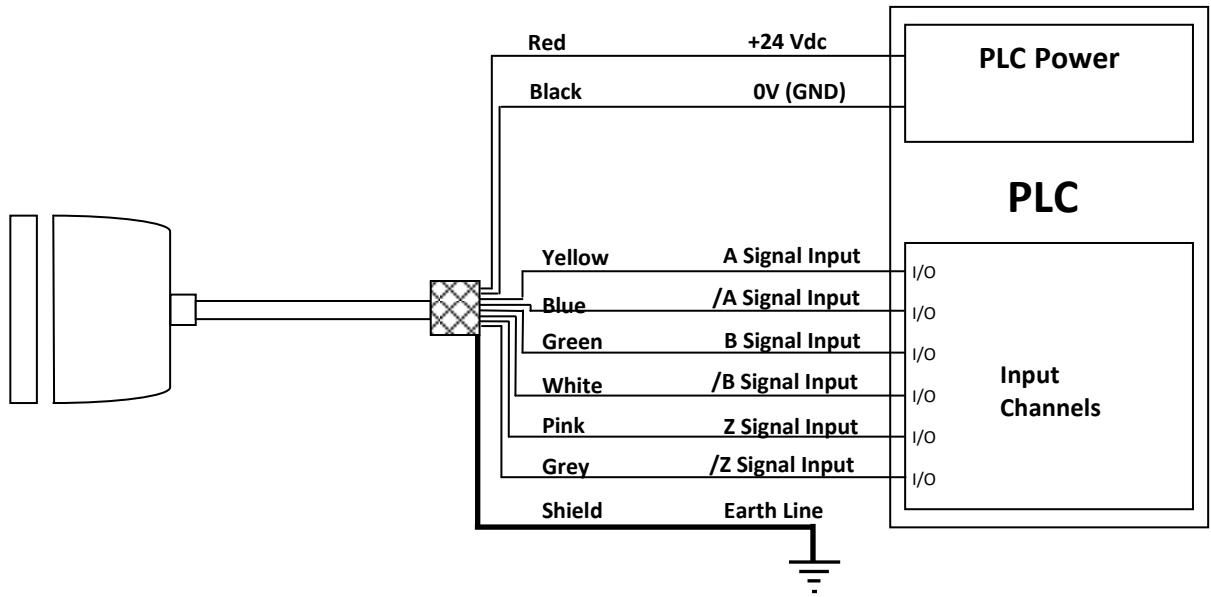


S16 Socket Connector



Hole Depth: 25 mm (Standard) , Ask us for the other options

SAMPLE APPLICATION



FZ - "Z" Type Flange



FC - Circular Flange



S23 (M23, 12Pin)
Socket Connector



S16 (M16, 8Pin)
Socket Connector



Backside Poliemid
Spiral

ORDER CODING

<p>Series ARC : Optical ARS : Magnetic</p>	<p>Body Diameter 58 : 58 mm</p>	<p>Power Supply and Output PP : 10...30 VDC Supply : 10...30VDC Output TTL : 5 VDC Supply : 5 VDC TTL Output HTL : 10...30 VDC Supply : 5 VDC TTL Output HPL : 5...24 VDC Supply : 5...24 VDC Push-Pull Output OCL : Open Collector (Only Optical)</p>	<p>Cable Length 3M : 3M (Standard) 5M : 5M 8M : 8M 10M : 10M S16 : M16, 8 Pin Socket (Only Backside) S23 : M23, 12 Pin Socket (Only Sidewise) *Optional up to 35 meters</p>	<p>Hole Diameter 6 : 6 mm 8 : 8 mm 10 : 10 mm 12 : 12 mm 14 : 14 mm</p>	
<p>XXX - B - XX - XXX - XXX - X - XM - X - XX - XX</p>	<p>Shaft Type B : Blind (Semi) Hollow Shaft</p>	<p>Resolution See Resolutions*</p>	<p>Output Signals 3 : A, B, Z 6 : A, /A, B, /B, Z, /Z</p>	<p>Cable Direction A : Backside Y : Sidewise AS : Backside + Spiral</p>	<p>Flange Type FZ : "Z" Type Flange FC : Circular Flange</p>

***Resolutions:**
Optic: 60 - 100 - 360 - 500 - 1024 - 1250 - 2000 - 2048 - 2500 - 3600 - 4096 - 5000 - 8192 - 10000 - 16384 - 20000 (Optional)
Magnetic: 4 - 8 - 16 - 20 - 25 - 32 - 40 - 50 - 64 - 80 - 100 - 125 - 128 - 200 - 250 - 256 - 400 - 500 - 512 - 800 - 1000 - 1024 - 2048 - 3600 - 4096 (Optional)

Example Coding:
ARC-B-58-1024-PP-6-10M-A-10-FZ
 Optical, Semi Hollow Shaft, 58 mm body diameter, 1024 pulse, Push-Pull, 6 Output Signals, Backside 10 meters cable, 10 mm hole diameter, Z type flange rotary encoder

Atek Sensor Technology A.S.

